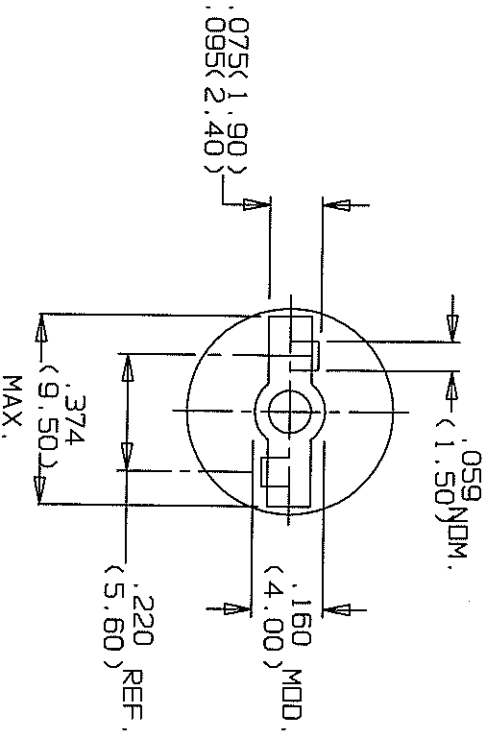
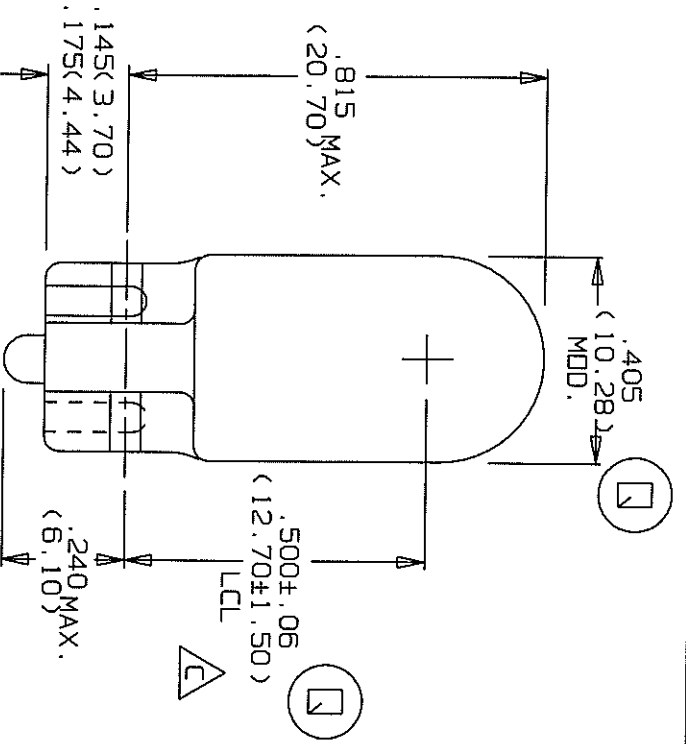


ORIGINAL

WHEN RBD

REV	ECR NO./DESCRIPTION	DATE
A	CONVERTED FROM DESIGN CAD NEW RELEASE	00/00/98
B	17925 MP ADDED DS	6/7/99
C	21572 RHW REVISED LIGHT CENTER LENGTH.	04/24/02
D	23161 RHW ADDED NOTE NUMBER 8.	02/11/04



NOTES:

1. FILAMENT SHAPE MUST BE UNIFORM WITH COILS EVENLY SPACED AND FREE OF TWIST OR SHORTING.
2. BULB SHALL BE CLEAN WITH NO FOREIGN MATERIALS OR GLASS CHIPS INSIDE.
3. CENTER OF FILAMENT SHALL BE WITHIN THE CENTER 1/3 OF THE BULB.
4. LAMPS SHALL BE CAPABLE OF OPERATION AND STORAGE AT TEMPERATURES FROM -65°C TO +100°C WITHOUT DEGRADATION.
5. LAMPS SHALL BE PACKAGED IN CONTAINERS SUITABLE TO PREVENT BREAKAGE DURING SHIPMENT.
6. LAMP PART NUMBER TO BE PERMANENTLY MARKED ON LAMP.
7. ALL DIMENSIONS ARE IN INCHES (mm).
8. LAMPS MUST CONFORM TO SAE USCAR-3.



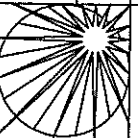
MAY 23 2005

ELECTRICAL CHARACTERISTICS			MSCP NDM.	LIFE HOURS (AVG.)	TEMPERATURE (°C)	GAS FILL
VOLTS	W	CURRENT				
13.5	5.0	.370 ± .037	4.0	2000	C-2V	XENDON

THIS DWG IS THE PROPERTY OF CHICAGO MINIATURE LAMP INC. AND IS PROPRIETARY IN GENERAL AND IN DETAIL. IT SHALL NOT BE COPIED OR ITS CONTENTS REVEALED TO OUTSIDE PARTIES WITHOUT THE WRITTEN CONSENT OF CHICAGO MINIATURE LAMP INC.

- (C) FOR INSPECTION USE ONLY
- (X) SPC DOCUMENTATION REQ. (X R CHARTS)
- TOLERANCE (UNLESS OTHERWISE SPECIFIED)
- FRACTION ± 1/64
- INCHES .xx ± .010 (0.25)
- ANGLE ± 1 deg.

DO NOT SCALE		DRAWN MK MURPHY	TITLE
PART NO. CM1250X-2	CHECKED RA 2/2/04		T-3 1/4 GAS FILLED WEDGE BASE LAMP
MODEL NO. -	ENG. APPRV [Signature]	SCALE: NTS	
MATERIAL: -			
DIST V/S	SHEET 1 OF 1	REV B	



Chicago Miniature Lamp Inc.
147 CENTRAL AVE. HACKENSACK, NJ 07601